

Calidor

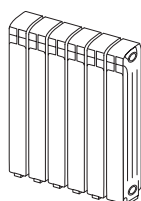
Calidor
by **fondital** **S21**




Aluminium radiators give a fast response, comfortable heat with high thermal efficiency. Energy saving and easy to handle, resistant to corrosion and with the ability to add or remove sections according to requirements, the Calidor is a modern radiator in every sense. 10 year warranty



Valves: see page 118



Central Heating Model Stock	Height mm (H)†	Width mm (W)	Number of sections	Depth (mm)	Output $\Delta T=60K$ Watts/btu	Output $\Delta T=50K$ Watts/btu (EN 442)	Weight kg	RRP (ex VAT)	RRP (inc 20% VAT)
 Calidor Aluminium									
Calidor 350/100-03	428	240	3	96	356/1215	280/955	3.5	£66	£79.20
Calidor 350/100-06	428	480	6	96	713/2433	561/1914	7.0	£132	£158.40
Calidor 350/100-08	428	640	8	96	950/3241	748/2552	9.3	£176	£211.20
Calidor 350/100-10	428	800	10	96	1188/4053	935/3190	11.6	£221	£265.20
Calidor 350/100-12	428	960	12	96	1425/4862	1122/3828	13.9	£265	£318.00
Calidor 350/100-14	428	1120	14	96	1663/5674	1309/4466	16.2	£309	£370.80
Calidor 500/100-03	578	240	3	96	470/1603	368/1256	4.5	£69	£82.80
Calidor 500/100-06	578	480	6	96	940/3207	737/2515	9.0	£139	£166.80
Calidor 500/100-08	578	640	8	96	1253/4275	982/3351	12.0	£185	£222.00
Calidor 500/100-10	578	800	10	96	1567/5347	1228/4190	15.0	£231	£277.20
Calidor 500/100-12	578	960	12	96	1880/6415	1474/5029	18.0	£277	£332.40
Calidor 500/100-14	578	1120	14	96	2193/7483	1719/5865	21.0	£323	£387.60
Calidor 600/100-03	678	240	3	96	540/1842	423/1443	5.3	£72	£86.40
Calidor 600/100-06	678	480	6	96	1079/3682	845/2883	10.6	£145	£174.00
Calidor 600/100-08	678	640	8	96	1439/4910	1127/3845	14.2	£193	£231.60
Calidor 600/100-10	678	800	10	96	1799/6138	1409/4808	17.7	£242	£290.40
Calidor 600/100-12	678	960	12	96	2159/7367	1691/5770	21.2	£290	£348.00
Calidor 600/100-14	678	1120	14	96	2518/8591	1973/6732	24.8	£338	£405.60

Max. working pressure: 6 Bar

Max. working temperature: 120°C

Powder coated RAL9010 white finish. Colour finishes are not available.

W† width excludes air vent and bushes (Additional 24mm)

The Calidor is a high output, low water content, die-cast aluminium radiator, sectional in manufacture, supplied with a bracket pack comprised of wall fixing brackets, plugs, bushes and an air vent.

Where an intermediate sized radiator is required, additional sections can be purchased and added or removed as necessary by the installer.

Joining nipples, gaskets and an assembly tool must be purchased separately.

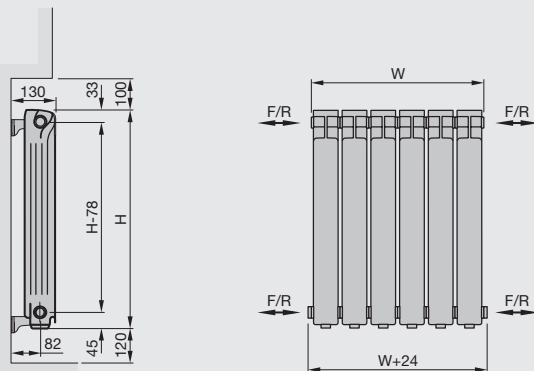
Calidor

Technical data per section

Model	Height	Width	Output 50 ΔT Watts/BTU	Output 60 ΔT Watts/BTU	Weight (kg)	RRP (ex VAT)	RRP (inc 20% VAT)
Calidor 350/100	428	80	119/405	93/318	1.2	£22	£26.40
Calidor 500/100	578	80	157/534	123/417	1.5	£23	£27.60
Calidor 600/100	678	80	180/614	141/481	1.7	£24	£28.80

Accessories

White towel bar suitable for 6 section Calidor (see 88-89)	A36/6	£58	£69.60
Calidor Assembly tool	Tool 300 / Tool 600 / Tool 900 / Tool 1200	£40	£48.00
Steel Joining Nipple	A2/1	£2	£2.40
Joining Nipple gasket - asbestos free	A10/1	£0.50	£0.60
O-ring gasket for bushes	A11/1	£1	£1.20
Installation bush and bracket pack	A81	£19	£22.80
Calidor Service Assembly Kit			
(4 x bushes plus gaskets, air vent & blanking plug)	A80	£18	£21.60



Calidor/100

Connections: 4 x 1/2", suitable for bottom opposite ends (BOE), top bottom opposite ends (TBOE) or top bottom same end (TBSE).