

zehnder ZLTCA
low surface temperature radiators

zehnder

Dimension adjustments

With the young and infirm specifically in mind, the Zehnder ZLTCA has been further developed to include large radius rounded edges on the front top and side edges. This design evolution makes it an automatic choice for installation in schools, hospitals and care homes.

Please note, because of the above mentioned change, this product now has altered dimensions as listed opposite.

The changes have not affected the listed outputs.



Vertical top grille with rounded top and side edges.



Horizontal top grille with rounded top and side edges.

Model	Grille Style	Height (mm)	NEW Height (mm)	Depth (mm)	NEW Depth (mm)
Style A					
	Top horizontal	300	325	140	145
		450	475		
		600	625		
Style B					
	Top horizontal and bottom vertical	450	475	140	145
		600	625		
		750	775		
Style C					
	Top vertical	600	595	140	145
Style D					
	Top and bottom vertical	750	745	140	145
Style FM					
	Top horizontal	450 (300 + feet)	475 (325 + feet)	156	164
Style AA					
	Top horizontal	300	325	264	266
		450	475		
		600	625		
Style BB					
	Top horizontal and bottom vertical	450	475	264	266
		600	625		
		750	775		

Introduction

Zehnder Low Temperature (ZLTCA):

The Zehnder range of Low Surface Temperature heaters has been designed and developed with the commercial specifier in mind.

The range of styles, sizes and outputs available should meet every aspect of design, and as always, care has been taken to ensure that special requirements can be incorporated with minimal cost.

Consideration has been made for the installer: the Zehnder ZLTCA requires no on-site assembly and the single fix bracket system ensures installation is simple and cost-effective.

Key Features:

- 4 basic styles
- 2 depths
- individual case lengths up to 2915mm
- cases can be joined in straight lengths or at angles to create continuous appearance
- satin anodised aluminium grilles
- robust steel front panel
- fully chamfered safe edges
- experienced technical support

Applications:

The Zehnder ZLTCA is suitable for any application where a low surface touch temperature is required.

Typical installations include:

- hospitals
- nursing homes
- nurseries
- schools
- all public buildings
- special care units

Product Specification

General:

LST Casing:

Constructed from a front panel of 150 and 75mm individual 1.2mm thick zinc coated steel panels, spot welded together on double profiled return bends to create a robust panel. Chamfered end casings formed from 1.2mm zinc coated steel. Removable extruded aluminium grilles secured by Allen key cap head screws.

Heat Emitter:

15mm copper water bearing tubes with aluminium convector plates nominally spaced at 7.5mm intervals.

All production to ISO 9002:1994

Operating Parameters: (BS EN442-1: 1996)

Standard Working Pressure: 5.0 bar

Standard Test Pressure: 7.0 bar

Outputs:

Tests for heat outputs have been performed by BSRIA in accordance with EN442. In order to give as accurate a representation as possible, the cases were fitted over the heat emitter for the tests, and therefore the outputs stated do not require any adjustments. Tests were also performed to ensure that no part of the case reached temperatures in excess of 43°C. Outputs are stated at $\Delta T=50K$ as required by EN442, and at $\Delta T=56K$ & $\Delta T=60K$ for convenience.

Outputs at different ΔT values may be calculated using the correction factor table from the base outputs stated at $\Delta T=50K$.

Finishes:

Heat emitters are natural finish copper and aluminium.

LST cases are factory finished with an anti-bacterial coating to RAL 9010 semi-gloss.

LST grilles finished with an anti-bacterial clear coat in satin anodised aluminium.

Other finishes available upon request.



Brackets:

Supplied with 'single fix' fully adjustable brackets which mount both the emitter and the case. Very little site assembly is required.

Special Options:

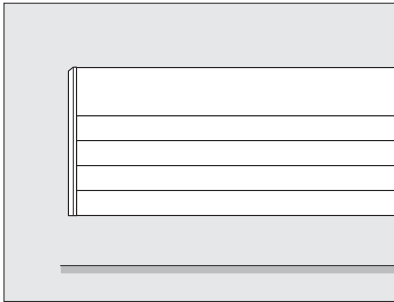
- powder coat finish to RAL, BS or NCS colours (extra cost)
- cut-outs for valves, pipework and skirtings (no cost option)
- remote adjuster TRV (extra cost)
- integrated valve assemblies (extra cost)

Please consult the Zehnder Technical Office for any other special requirements.

Manufactured in the UK.

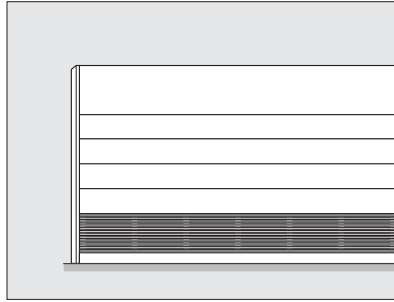
Model Overview

Style A



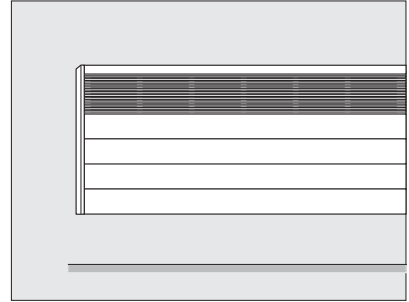
Grilles: top horizontal
 Depth: 140mm
 Height: 300, 450 & 600mm
 Length: 663 - 2915mm
 Output: on request

Style B



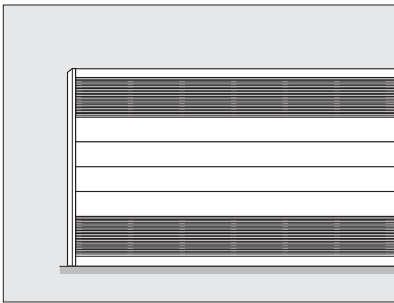
Grilles: top horizontal, btm vertical
 Depth: 140mm
 Height: 450, 600 & 750mm
 Length: 663 - 2915mm
 Output: on request

Style C



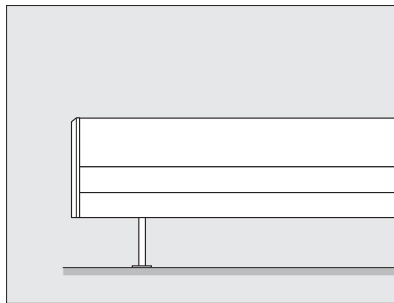
Grilles: top vertical
 Depth: 140mm
 Height: 600mm
 Length: 663 - 2915mm
 Output: on request

Style D



Grilles: top and btm vertical
 Depth: 140mm
 Height: 750mm
 Length: 663 - 2915mm
 Output: on request

Style FM

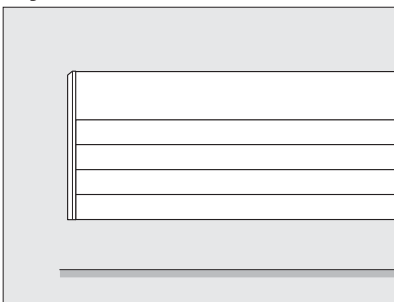


Grilles: top horizontal
 Depth: 156mm
 Height: 300mm + feet
 Length: 663 - 2915mm
 Output: on request

ATTENTION!

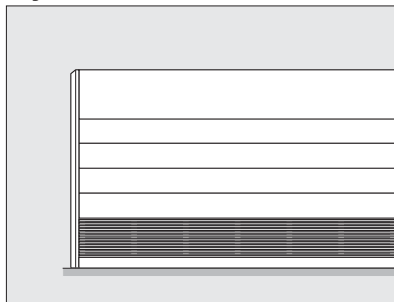
Please check amended dimensions as detailed on page 2.

Style AA



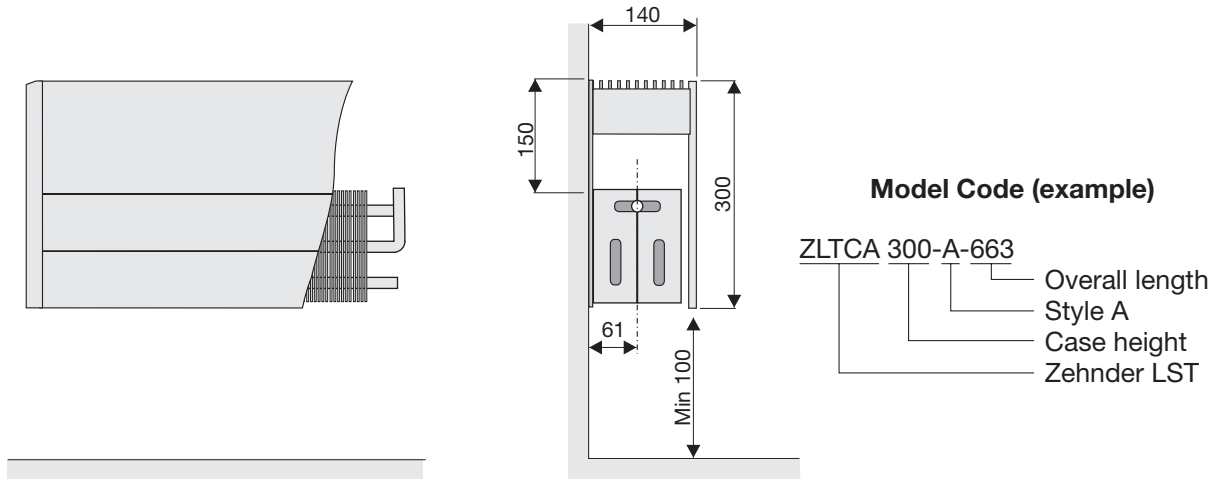
Grilles: top horizontal
 Depth: 264mm
 Height: 300, 450 & 600mm
 Length: 765 - 2915mm
 Output: on request

Style BB



Grilles: top horizontal, btm vertical
 Depth: 264mm
 Height: 450, 600 & 750mm
 Length: 765 - 2915mm
 Output: on request

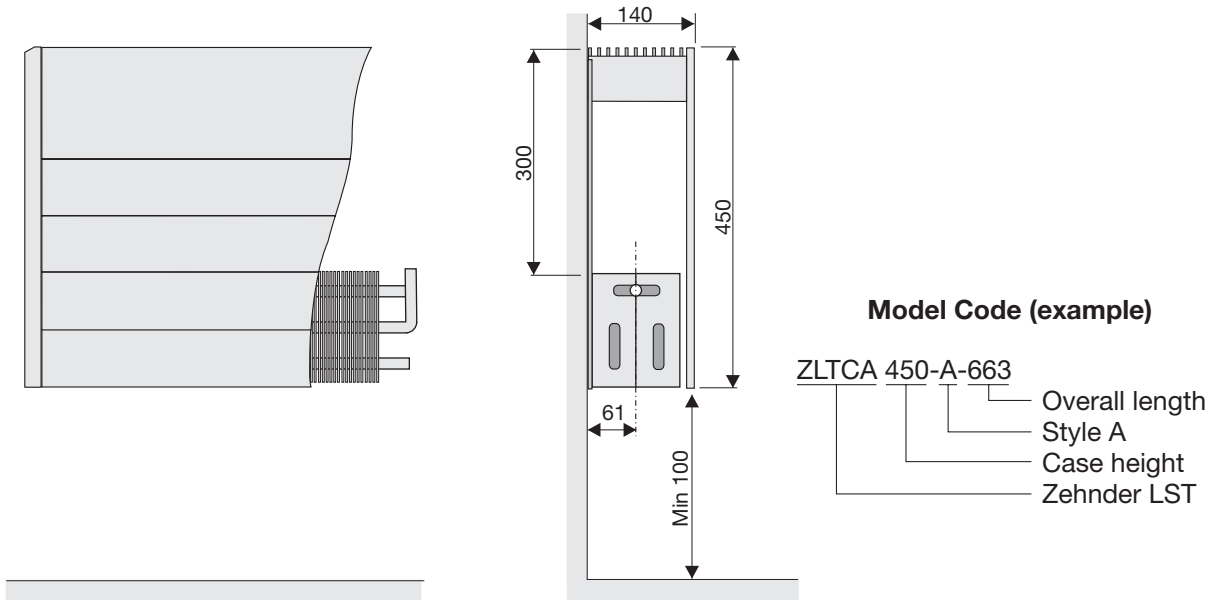
ZLTCA 300-A



Technical Data

Case Mass kg	Emitter Mass (dry) kg	Volume V litres	Emitter Length mm	Case Length mm	Model	Output BS EN442 $\Delta T=50K$ Watts	Output $\Delta T=56K$ Watts	Output $T=60K$ Watts
3.83	2.60	0.63	490	663	ZLTCA 300-A-663	480	557	609
4.43	3.07	0.74	600	765	ZLTCA 300-A-765	584	678	741
5.02	3.53	0.85	700	867	ZLTCA 300-A-867	687	798	872
5.62	3.97	0.96	805	970	ZLTCA 300-A-970	785	911	996
6.21	4.41	1.06	900	1072	ZLTCA 300-A-1072	882	1024	1119
6.80	4.87	1.17	1010	1176	ZLTCA 300-A-1176	986	1145	1251
7.39	5.33	1.29	1110	1278	ZLTCA 300-A-1278	1089	1264	1382
7.98	5.77	1.39	1215	1381	ZLTCA 300-A-1381	1187	1378	1506
8.58	6.21	1.50	1310	1483	ZLTCA 300-A-1483	1284	1491	1629
9.17	6.65	1.60	1410	1585	ZLTCA 300-A-1585	1383	1606	1755
9.77	7.09	1.71	1510	1688	ZLTCA 300-A-1688	1481	1719	1879
10.36	7.53	1.82	1615	1790	ZLTCA 300-A-1790	1581	1836	2006
10.95	7.97	1.92	1715	1892	ZLTCA 300-A-1892	1681	1952	2133
11.54	8.43	2.03	1815	1994	ZLTCA 300-A-1994	1782	2069	2261
12.13	8.90	2.14	1920	2096	ZLTCA 300-A-2096	1882	2185	2388
12.73	9.35	2.25	2025	2199	ZLTCA 300-A-2199	1983	2302	2516
13.32	9.80	2.36	2125	2301	ZLTCA 300-A-2301	2083	2418	2643
13.92	10.24	2.47	2220	2404	ZLTCA 300-A-2404	2182	2533	2769
14.51	10.68	2.57	2325	2506	ZLTCA 300-A-2506	2280	2647	2893
15.10	11.12	2.68	2430	2610	ZLTCA 300-A-2610	2380	2763	3020
15.69	11.58	2.79	2530	2710	ZLTCA 300-A-2710	2481	2880	3148
16.28	12.04	2.90	2635	2815	ZLTCA 300-A-2815	2583	3000	3279
16.88	12.46	3.00	2740	2915	ZLTCA 300-A-2915	2688	3121	3411

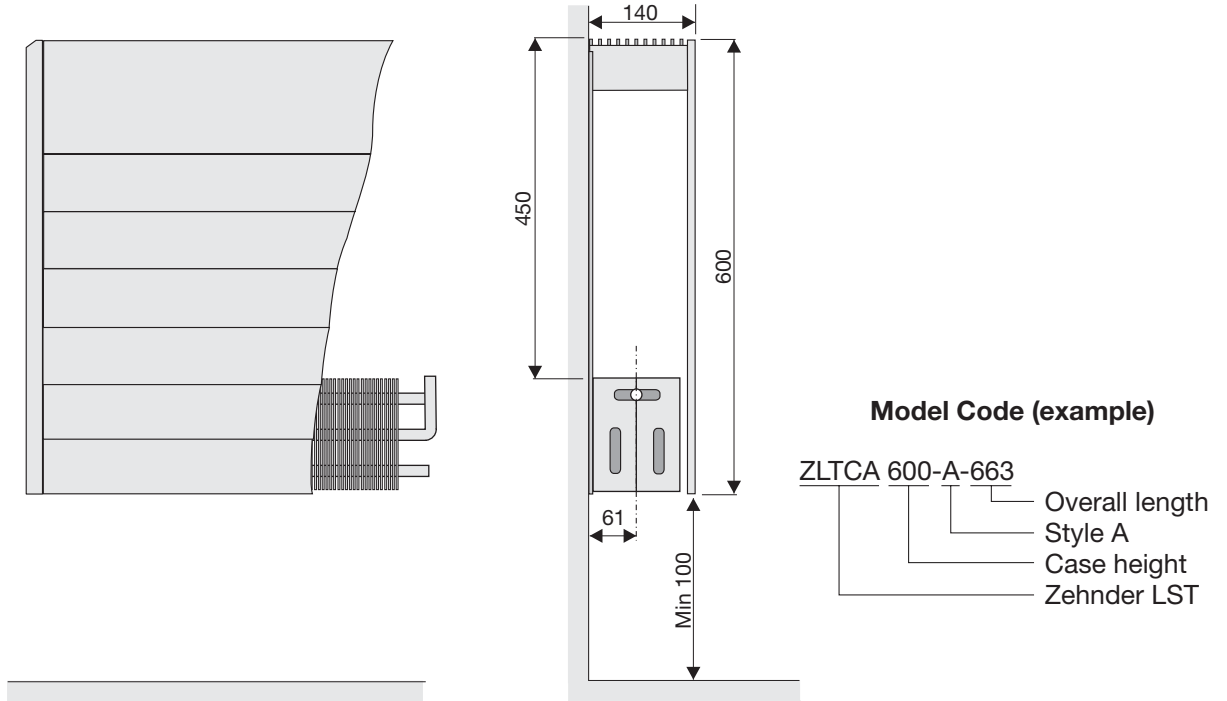
ZLTCA 450-A



Technical Data

Case Mass kg	Emitter Mass (dry) kg	Volume V litres	Emitter Length mm	Case Length mm	Model	Output BS EN442 $\Delta T=50K$ Watts	Output $\Delta T=56K$ Watts	Output $T=60K$ Watts
5.35	2.60	0.63	490	663	ZLTCA 450-A-663	519	603	659
6.18	3.07	0.74	600	765	ZLTCA 450-A-765	634	736	805
7.01	3.53	0.85	700	867	ZLTCA 450-A-867	749	870	950
7.84	3.97	0.96	805	970	ZLTCA 450-A-970	865	1004	1098
8.67	4.41	1.06	900	1072	ZLTCA 450-A-1072	980	1138	1244
9.50	4.87	1.17	1010	1176	ZLTCA 450-A-1176	1097	1274	1392
10.32	5.33	1.29	1110	1278	ZLTCA 450-A-1278	1210	1405	1535
11.15	5.77	1.39	1215	1381	ZLTCA 450-A-1381	1328	1542	1685
11.98	6.21	1.50	1310	1483	ZLTCA 450-A-1483	1440	1672	1827
12.81	6.65	1.60	1410	1585	ZLTCA 450-A-1585	1558	1809	1977
13.64	7.09	1.71	1510	1688	ZLTCA 450-A-1688	1674	1944	2124
14.46	7.53	1.82	1615	1790	ZLTCA 450-A-1790	1786	2074	2266
15.29	7.97	1.92	1715	1892	ZLTCA 450-A-1892	1904	2211	2416
16.12	8.43	2.03	1815	1994	ZLTCA 450-A-1994	2016	2341	2558
16.95	8.90	2.14	1920	2096	ZLTCA 450-A-2096	2133	2476	2707
17.78	9.35	2.25	2025	2199	ZLTCA 450-A-2199	2249	2611	2854
18.61	9.80	2.36	2125	2301	ZLTCA 450-A-2301	2364	2745	3000
19.44	10.24	2.47	2220	2404	ZLTCA 450-A-2404	2480	2879	3147
20.27	10.68	2.57	2325	2506	ZLTCA 450-A-2506	2595	3013	3293
21.92	11.58	2.79	2530	2710	ZLTCA 450-A-2710	2825	3280	3585
23.58	12.46	3.00	2740	2915	ZLTCA 450-A-2915	3056	3548	3878

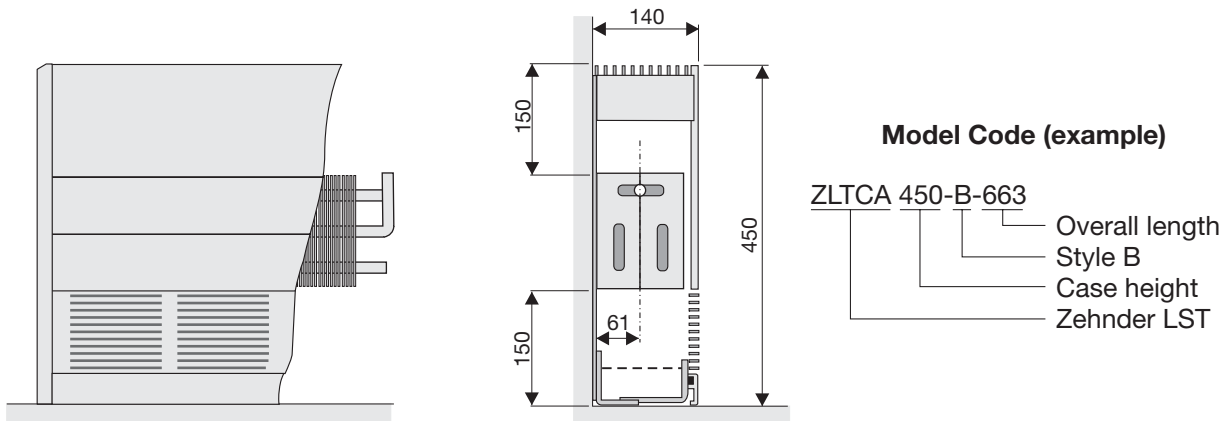
ZLTCA 600-A



Technical Data

Case Mass kg	Emitter Mass (dry) kg	Volume V litres	Emitter Length mm	Case Length mm	Model	Output BS EN442 $\Delta T=50K$ Watts	Output $\Delta T=56K$ Watts	Output $T=60K$ Watts
7.27	2.60	0.63	490	663	ZLTCA 600-A-663	540	627	685
8.40	3.07	0.74	600	765	ZLTCA 600-A-765	659	765	836
9.52	3.53	0.85	700	867	ZLTCA 600-A-867	779	904	989
10.64	3.97	0.96	805	970	ZLTCA 600-A-970	899	1044	1141
11.77	4.41	1.06	900	1072	ZLTCA 600-A-1072	1019	1183	1293
12.89	4.87	1.17	1010	1176	ZLTCA 600-A-1176	1141	1325	1448
14.01	5.33	1.29	1110	1278	ZLTCA 600-A-1278	1258	1461	1596
15.14	5.77	1.39	1215	1381	ZLTCA 600-A-1381	1381	1603	1752
16.27	6.21	1.50	1310	1483	ZLTCA 600-A-1483	1498	1739	1901
17.39	6.65	1.60	1410	1585	ZLTCA 600-A-1585	1620	1881	2056
18.52	7.09	1.71	1510	1688	ZLTCA 600-A-1688	1740	2020	2208
19.65	7.53	1.82	1615	1790	ZLTCA 600-A-1790	1858	2157	2358
20.77	7.97	1.92	1715	1892	ZLTCA 600-A-1892	1979	2298	2511
21.89	8.43	2.03	1815	1994	ZLTCA 600-A-1994	2097	2435	2661
23.01	8.90	2.14	1920	2096	ZLTCA 600-A-2096	2218	2575	2815
24.14	9.35	2.25	2025	2199	ZLTCA 600-A-2199	2339	2716	2968
25.27	9.80	2.36	2125	2301	ZLTCA 600-A-2301	2459	2855	3120
26.40	10.24	2.47	2220	2404	ZLTCA 600-A-2404	2579	2994	3273
27.52	10.68	2.57	2325	2506	ZLTCA 600-A-2506	2699	3134	3425
29.77	11.58	2.79	2530	2710	ZLTCA 600-A-2710	2938	3411	3728
32.02	12.46	3.00	2740	2915	ZLTCA 600-A-2915	3178	3690	4033

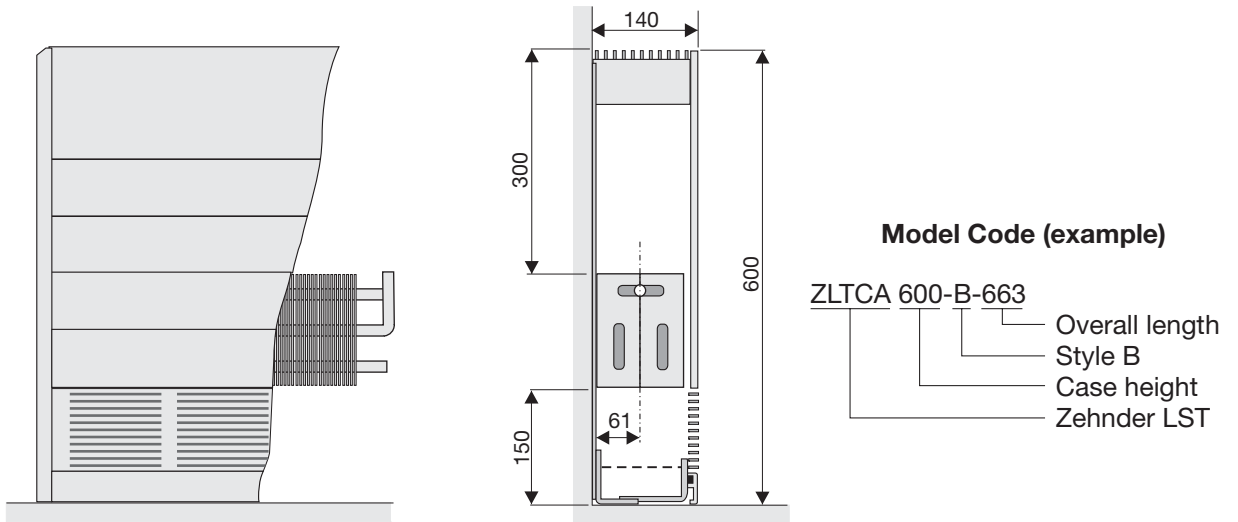
ZLTCA 450-B



Technical Data

Case Mass kg	Emitter Mass (dry) kg	Volume V litres	Emitter Length mm	Case Length mm	Model	Output BS EN442 $\Delta T=50K$ Watts	Output $\Delta T=56K$ Watts	Output $T=60K$ Watts
5.02	2.60	0.63	490	663	ZLTCA 450-B-663	453	526	575
5.80	3.07	0.74	600	765	ZLTCA 450-B-765	551	640	699
6.57	3.53	0.85	700	867	ZLTCA 450-B-867	648	752	822
7.35	3.97	0.96	805	970	ZLTCA 450-B-970	740	859	939
8.13	4.41	1.06	900	1072	ZLTCA 450-B-1072	832	966	1056
8.91	4.87	1.17	1010	1176	ZLTCA 450-B-1176	930	1080	1180
9.68	5.33	1.29	1110	1278	ZLTCA 450-B-1278	1027	1192	1303
10.46	5.77	1.39	1215	1381	ZLTCA 450-B-1381	1119	1299	1420
11.24	6.21	1.50	1310	1483	ZLTCA 450-B-1483	1211	1406	1537
12.02	6.65	1.60	1410	1585	ZLTCA 450-B-1585	1304	1514	1655
12.80	7.09	1.71	1510	1688	ZLTCA 450-B-1688	1397	1622	1773
13.57	7.53	1.82	1615	1790	ZLTCA 450-B-1790	1491	1731	1892
14.35	7.97	1.92	1715	1892	ZLTCA 450-B-1892	1586	1841	2013
15.12	8.43	2.03	1815	1994	ZLTCA 450-B-1994	1681	1952	2133
15.90	8.90	2.14	1920	2096	ZLTCA 450-B-2096	1776	2062	2254
16.68	9.35	2.25	2025	2199	ZLTCA 450-B-2199	1871	2172	2374
17.46	9.80	2.36	2125	2301	ZLTCA 450-B-2301	1965	2281	2494
18.24	10.24	2.47	2220	2404	ZLTCA 450-B-2404	2059	2390	2613
19.02	10.68	2.57	2325	2506	ZLTCA 450-B-2506	2151	2497	2730
20.57	11.58	2.79	2530	2710	ZLTCA 450-B-2710	2341	2718	2971
22.12	12.46	3.00	2740	2915	ZLTCA 450-B-2915	2536	2944	3218

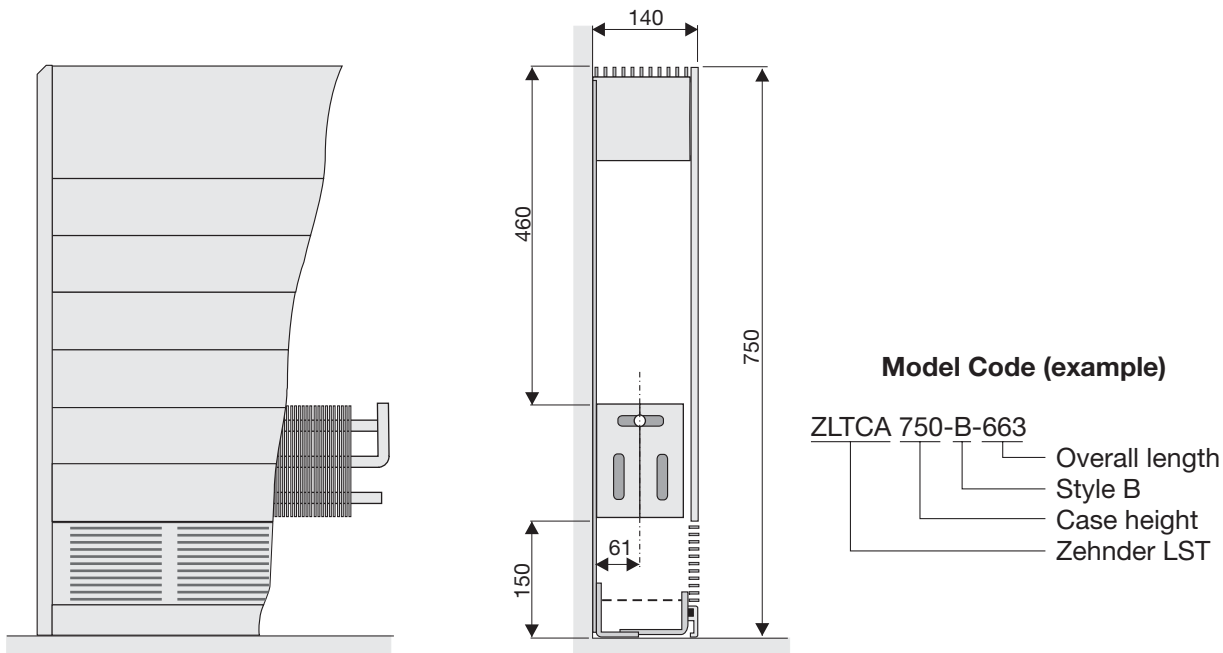
ZLTCA 600-B



Technical Data

Case Mass kg	Emitter Mass (dry) kg	Volume V litres	Emitter Length mm	Case Length mm	Model	Output BS EN442 $\Delta T=50K$ Watts	Output $\Delta T=56K$ Watts	Output $T=60K$ Watts
6.48	2.60	0.63	490	663	ZLTCA 600-B-663	485	563	615
7.48	3.07	0.74	600	765	ZLTCA 600-B-765	592	687	751
8.48	3.53	0.85	700	867	ZLTCA 600-B-867	700	813	888
9.49	3.97	0.96	805	970	ZLTCA 600-B-970	808	938	1025
10.49	4.41	1.06	900	1072	ZLTCA 600-B-1072	916	1063	1162
11.49	4.87	1.17	1010	1176	ZLTCA 600-B-1176	1025	1190	1301
12.49	5.33	1.29	1110	1278	ZLTCA 600-B-1278	1130	1312	1434
13.49	5.77	1.39	1215	1381	ZLTCA 600-B-1381	1241	1441	1575
14.49	6.21	1.50	1310	1483	ZLTCA 600-B-1483	1346	1563	1708
15.50	6.65	1.60	1410	1585	ZLTCA 600-B-1585	1456	1690	1848
16.50	7.09	1.71	1510	1688	ZLTCA 600-B-1688	1564	1816	1985
17.50	7.53	1.82	1615	1790	ZLTCA 600-B-1790	1669	1938	2118
18.50	7.97	1.92	1715	1892	ZLTCA 600-B-1892	1779	2065	2258
19.50	8.43	2.03	1815	1994	ZLTCA 600-B-1994	1884	2187	2391
20.50	8.90	2.14	1920	2096	ZLTCA 600-B-2096	1994	2315	2530
21.52	9.35	2.25	2025	2199	ZLTCA 600-B-2199	2102	2440	2667
22.51	9.80	2.36	2125	2301	ZLTCA 600-B-2301	2210	2566	2804
23.52	10.24	2.47	2220	2404	ZLTCA 600-B-2404	2318	2691	2942
24.52	10.68	2.57	2325	2506	ZLTCA 600-B-2506	2425	2815	3077
26.52	11.58	2.79	2530	2710	ZLTCA 600-B-2710	2640	3065	3350
28.53	12.46	3.00	2740	2915	ZLTCA 600-B-2915	2856	3316	3624

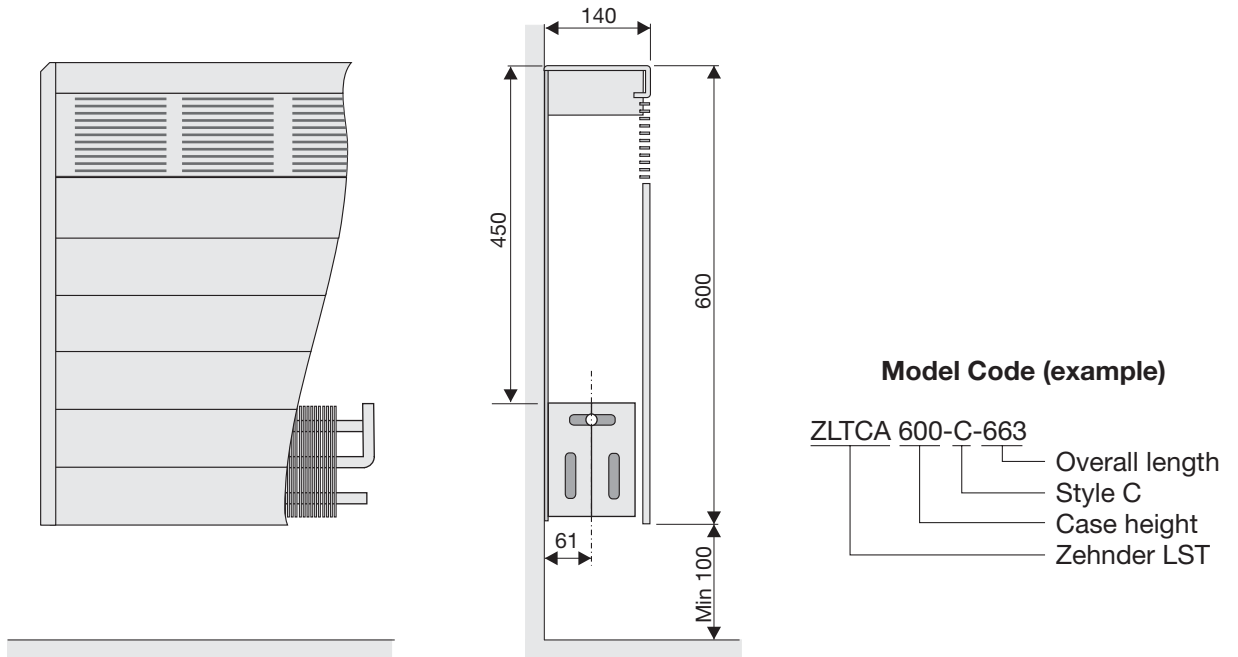
ZLTCA 750-B



Technical Data

Case Mass kg	Emitter Mass (dry) kg	Volume V litres	Emitter Length mm	Case Length mm	Model	Output BS EN442 $\Delta T=50K$ Watts	Output $\Delta T=56K$ Watts	Output $T=60K$ Watts
7.93	2.60	0.63	490	663	ZLTCA 750-B-663	504	585	640
9.16	3.07	0.74	600	765	ZLTCA 750-B-765	616	715	782
10.38	3.53	0.85	700	867	ZLTCA 750-B-867	728	845	924
11.61	3.97	0.96	805	970	ZLTCA 750-B-970	840	975	1066
12.84	4.41	1.06	900	1072	ZLTCA 750-B-1072	952	1105	1208
14.06	4.87	1.17	1010	1176	ZLTCA 750-B-1176	1066	1238	1353
15.29	5.33	1.29	1110	1278	ZLTCA 750-B-1278	1175	1364	1491
16.52	5.77	1.39	1215	1381	ZLTCA 750-B-1381	1290	1498	1637
17.75	6.21	1.50	1310	1483	ZLTCA 750-B-1483	1400	1625	1777
18.98	6.65	1.60	1410	1585	ZLTCA 750-B-1585	1514	1758	1921
20.21	7.09	1.71	1510	1688	ZLTCA 750-B-1688	1627	1889	2065
21.44	7.53	1.82	1615	1790	ZLTCA 750-B-1790	1736	2015	2203
22.66	7.97	1.92	1715	1892	ZLTCA 750-B-1892	1850	2148	2348
23.88	8.43	2.03	1815	1994	ZLTCA 750-B-1994	1959	2274	2486
25.10	8.90	2.14	1920	2096	ZLTCA 750-B-2096	2073	2407	2631
26.33	9.35	2.25	2025	2199	ZLTCA 750-B-2199	2186	2538	2774
27.56	9.80	2.36	2125	2301	ZLTCA 750-B-2301	2298	2668	2916
28.79	10.24	2.47	2220	2404	ZLTCA 750-B-2404	2410	2798	3058
30.02	10.68	2.57	2325	2506	ZLTCA 750-B-2506	2522	2928	3200
32.47	11.58	2.79	2530	2710	ZLTCA 750-B-2710	2746	3188	3485
34.93	12.46	3.00	2740	2915	ZLTCA 750-B-2915	2970	3448	3769

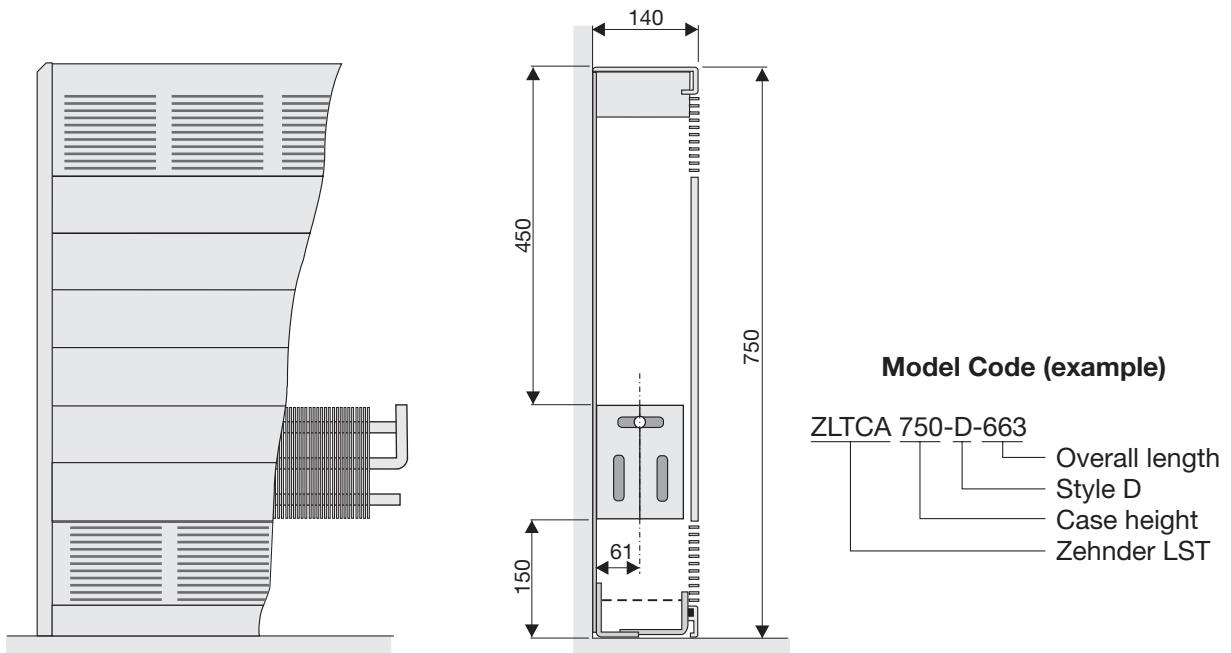
ZLTCA 600-C



Technical Data

Case Mass kg	Emitter Mass (dry) kg	Volume V litres	Emitter Length mm	Case Length mm	Model	Output BS EN442 $\Delta T=50K$ Watts	Output $\Delta T=56K$ Watts	Output T=60K Watts
6.48	2.60	0.63	490	663	ZLTCA 600-C-663	540	627	685
7.48	3.07	0.74	600	765	ZLTCA 600-C-765	659	765	836
8.48	3.53	0.85	700	867	ZLTCA 600-C-867	779	904	989
9.49	3.97	0.96	805	970	ZLTCA 600-C-970	899	1044	1141
10.49	4.41	1.06	900	1072	ZLTCA 600-C-1072	1019	1183	1293
11.49	4.87	1.17	1010	1176	ZLTCA 600-C-1176	1141	1325	1448
12.49	5.33	1.29	1110	1278	ZLTCA 600-C-1278	1258	1461	1596
13.49	5.77	1.39	1215	1381	ZLTCA 600-C-1381	1381	1603	1752
14.49	6.21	1.50	1310	1483	ZLTCA 600-C-1483	1498	1739	1901
15.50	6.65	1.60	1410	1585	ZLTCA 600-C-1585	1620	1881	2056
16.50	7.09	1.71	1510	1688	ZLTCA 600-C-1688	1740	2020	2208
17.50	7.53	1.82	1615	1790	ZLTCA 600-C-1790	1858	2157	2358
18.50	7.97	1.92	1715	1892	ZLTCA 600-C-1892	1979	2298	2511
19.50	8.43	2.03	1815	1994	ZLTCA 600-C-1994	2097	2435	2661
20.50	8.90	2.14	1920	2096	ZLTCA 600-C-2096	2218	2575	2815
21.52	9.35	2.25	2025	2199	ZLTCA 600-C-2199	2339	2716	2968
22.51	9.80	2.36	2125	2301	ZLTCA 600-C-2301	2459	2855	3120
23.52	10.24	2.47	2220	2404	ZLTCA 600-C-2404	2579	2994	3273
24.52	10.68	2.57	2325	2506	ZLTCA 600-C-2506	2699	3134	3425
26.52	11.58	2.79	2530	2710	ZLTCA 600-C-2710	2938	3411	3728
28.53	12.46	3.00	2740	2915	ZLTCA 600-C-2915	3178	3690	4033

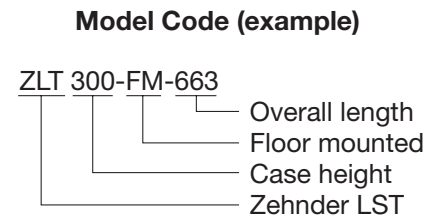
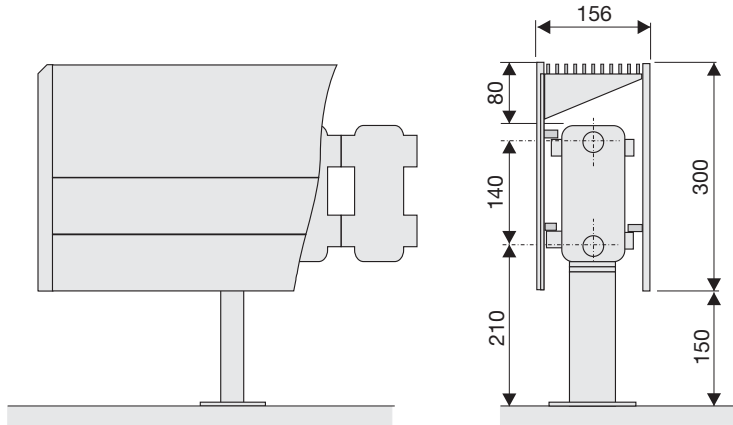
ZLTCA 750-D



Technical Data

Case Mass kg	Emitter Mass (dry) kg	Volume V litres	Emitter Length mm	Case Length mm	Model	Output BS EN442 $\Delta T=50K$ Watts	Output $\Delta T=56K$ Watts	Output T=60K Watts
7.93	2.60	0.63	490	663	ZLTCA 750-D-663	504	585	640
9.16	3.07	0.74	600	765	ZLTCA 750-D-765	616	715	782
10.38	3.53	0.85	700	867	ZLTCA 750-D-867	728	845	924
11.61	3.97	0.96	805	970	ZLTCA 750-D-970	840	975	1066
12.84	4.41	1.06	900	1072	ZLTCA 750-D-1072	952	1105	1208
14.06	4.87	1.17	1010	1176	ZLTCA 750-D-1176	1066	1238	1353
15.29	5.33	1.29	1110	1278	ZLTCA 750-D-1278	1175	1364	1491
16.52	5.77	1.39	1215	1381	ZLTCA 750-D-1381	1290	1498	1637
17.75	6.21	1.50	1310	1483	ZLTCA 750-D-1483	1400	1625	1777
18.98	6.65	1.60	1410	1585	ZLTCA 750-D-1585	1514	1758	1921
20.21	7.09	1.71	1510	1688	ZLTCA 750-D-1688	1627	1889	2065
21.44	7.53	1.82	1615	1790	ZLTCA 750-D-1790	1736	2015	2203
22.66	7.97	1.92	1715	1892	ZLTCA 750-D-1892	1850	2148	2348
23.88	8.43	2.03	1815	1994	ZLTCA 750-D-1994	1959	2274	2486
25.10	8.90	2.14	1920	2096	ZLTCA 750-D-2096	2073	2407	2631
26.33	9.35	2.25	2025	2199	ZLTCA 750-D-2199	2186	2538	2774
27.56	9.80	2.36	2125	2301	ZLTCA 750-D-2301	2298	2668	2916
28.79	10.24	2.47	2220	2404	ZLTCA 750-D-2404	2410	2798	3058
30.02	10.68	2.57	2325	2506	ZLTCA 750-D-2506	2522	2928	3200
32.47	11.58	2.79	2530	2710	ZLTCA 750-D-2710	2746	3188	3485
34.93	12.46	3.00	2740	2915	ZLTCA 750-D-2915	2970	3448	3769

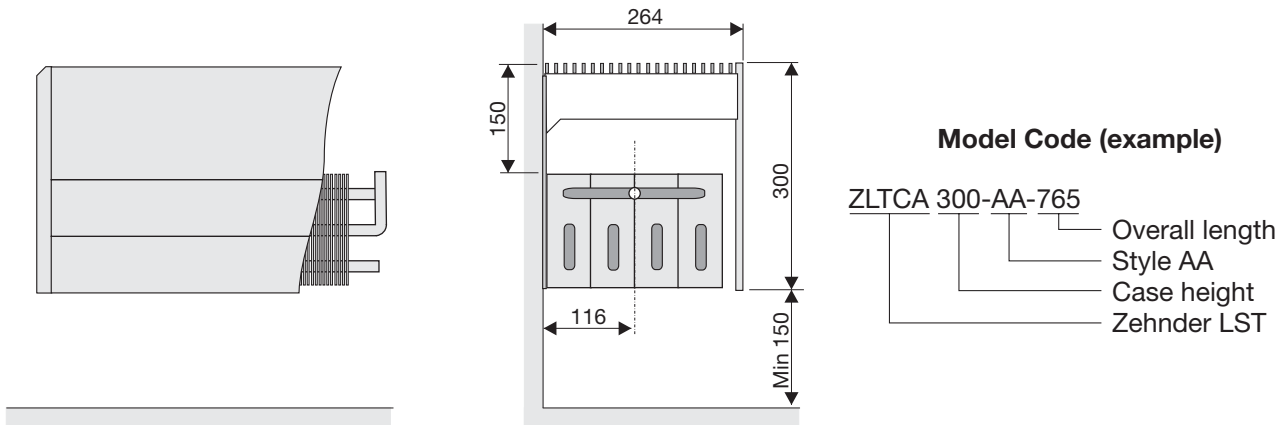
ZLT 300-FM



Technical Data

Case Mass kg	Emitter Mass (dry) kg	Volume V litres	Emitter Length mm	Case Length mm	Model	Output BS EN442 ΔT= 50K Watts	Output ΔT=56K Watts	Output T=60K Watts
5.83	6.04	0.53	453	663	ZLT 300-FM-663	270	311	338
6.73	7.40	0.65	555	765	ZLT 300-FM-765	318	366	398
7.63	8.76	0.77	657	867	ZLT 300-FM-867	378	435	473
8.54	10.12	0.89	759	970	ZLT 300-FM-970	439	505	549
9.43	11.48	1.01	861	1072	ZLT 300-FM-1072	499	574	624
10.35	12.84	1.13	963	1176	ZLT 300-FM-1176	559	643	699
11.25	14.20	1.25	1065	1278	ZLT 300-FM-1278	619	712	774
12.15	15.56	1.37	1167	1381	ZLT 300-FM-1381	679	781	849
13.05	16.92	1.48	1269	1483	ZLT 300-FM-1483	739	850	924
13.95	18.28	1.60	1371	1585	ZLT 300-FM-1585	799	919	999
14.85	19.64	1.72	1473	1688	ZLT 300-FM-1688	859	988	1074
15.75	20.99	1.84	1575	1790	ZLT 300-FM-1790	919	1057	1149
16.65	22.35	1.96	1677	1892	ZLT 300-FM-1892	979	1126	1224
17.55	23.71	2.08	1779	1994	ZLT 300-FM-1994	1039	1195	1299
18.44	25.07	2.20	1881	2096	ZLT 300-FM-2096	1099	1264	1374
19.35	26.43	2.32	1983	2199	ZLT 300-FM-2199	1159	1333	1449
20.25	27.79	2.44	2085	2301	ZLT 300-FM-2301	1219	1402	1524
21.16	29.15	2.56	2187	2404	ZLT 300-FM-2404	1279	1471	1599
22.05	30.51	2.68	2289	2506	ZLT 300-FM-2506	1339	1540	1674
23.85	33.23	2.92	2493	2710	ZLT 300-FM-2710	1459	1678	1824
25.65	35.95	3.16	2697	2915	ZLT 300-FM-2915	1581	1818	1976

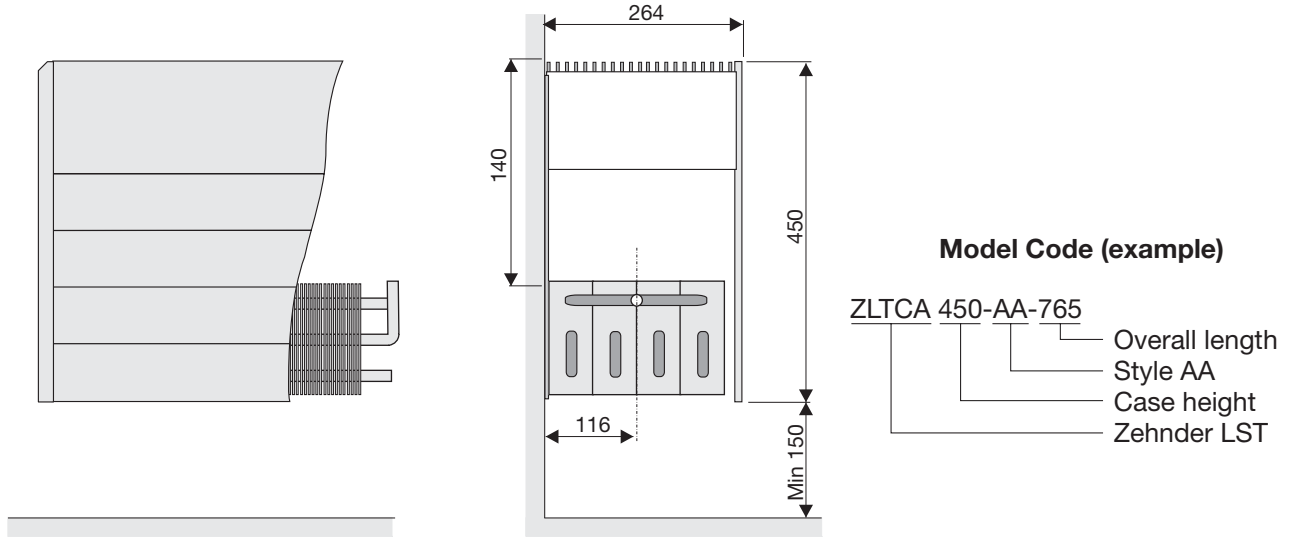
ZLTCA 300-AA



Technical Data

Case Mass kg	Emitter Mass (dry) kg	Volume V litres	Emitter Length mm	Case Length mm	Model	Output BS EN442 $\Delta T=50K$ Watts	Output $\Delta T=56K$ Watts	Output $T=60K$ Watts
8.21	6.14	1.48	600	765	ZLTCA 300-AA-765	1110	1289	1409
9.66	7.06	1.70	700	867	ZLTCA 300-AA-867	1306	1516	1657
11.03	7.94	1.91	805	970	ZLTCA 300-AA-970	1492	1732	1893
12.40	8.82	2.13	900	1072	ZLTCA 300-AA-1072	1675	1945	2126
13.86	9.74	2.35	1010	1176	ZLTCA 300-AA-1176	1874	2176	2378
15.32	10.67	2.57	1110	1278	ZLTCA 300-AA-1278	2070	2403	2627
16.69	11.55	2.78	1215	1381	ZLTCA 300-AA-1381	2255	2618	2862
18.06	12.43	2.99	1310	1483	ZLTCA 300-AA-1483	2439	2832	3095
18.82	13.31	3.21	1410	1585	ZLTCA 300-AA-1585	2627	3050	3334
20.82	14.19	3.42	1510	1688	ZLTCA 300-AA-1688	2814	3267	3571
22.23	15.07	3.63	1615	1790	ZLTCA 300-AA-1790	3004	3488	3812
23.64	15.95	3.84	1715	1892	ZLTCA 300-AA-1892	3194	3708	4053
25.05	16.87	4.07	1815	1994	ZLTCA 300-AA-1994	3386	3931	4297
26.46	17.79	4.29	1920	2096	ZLTCA 300-AA-2096	3577	4153	4539
27.87	18.70	4.51	2025	2199	ZLTCA 300-AA-2199	3769	4376	4783
29.29	19.60	4.73	2125	2301	ZLTCA 300-AA-2301	3959	4596	5024
30.68	20.48	4.94	2220	2404	ZLTCA 300-AA-2404	4147	4815	5263
32.06	21.36	5.15	2325	2506	ZLTCA 300-AA-2506	4332	5029	5497
34.88	23.16	5.58	2530	2710	ZLTCA 300-AA-2710	4715	5474	5983
37.80	24.92	6.01	2740	2915	ZLTCA 300-AA-2915	5108	5930	6482

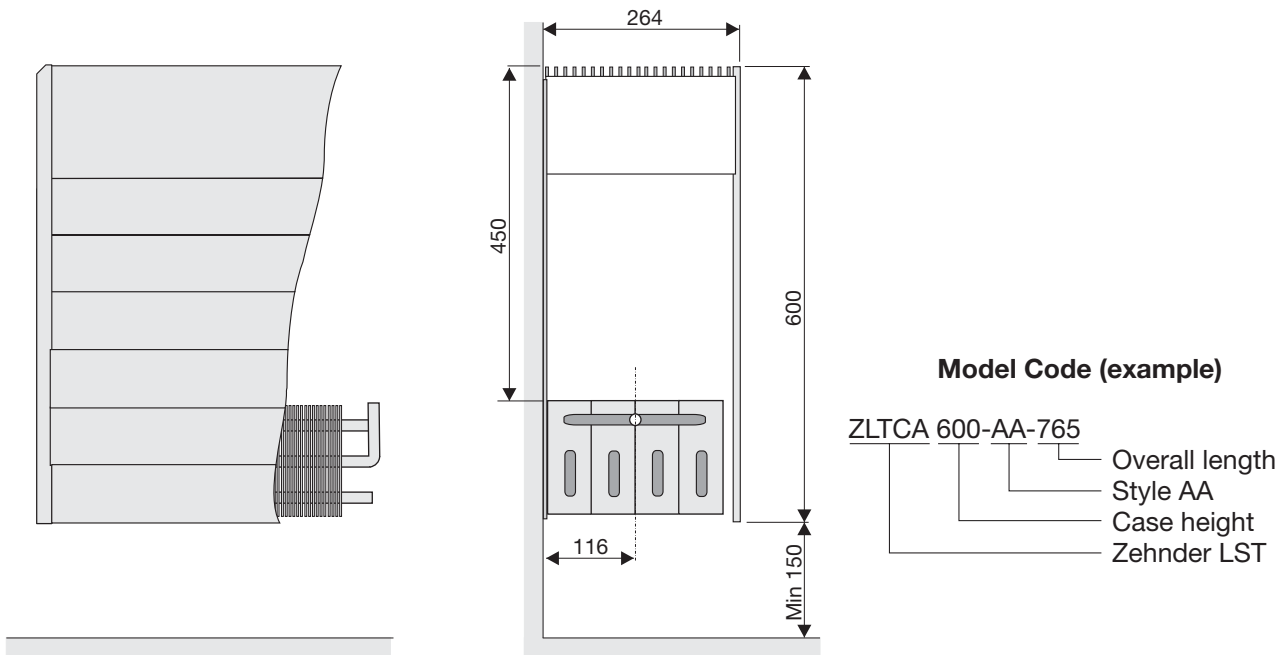
ZLTCA 450-AA



Technical Data

Case Mass kg	Emitter Mass (dry) kg	Volume V litres	Emitter Length mm	Case Length mm	Model	Output BS EN442 $\Delta T=50K$ Watts	Output $\Delta T=56K$ Watts	Output T=60K Watts
10.43	6.14	1.48	600	765	ZLTCA 450-AA-765	1205	1399	1529
12.28	7.06	1.70	700	867	ZLTCA 450-AA-867	1423	1652	1806
14.02	7.94	1.91	805	970	ZLTCA 450-AA-970	1644	1909	2086
15.75	8.82	2.13	900	1072	ZLTCA 450-AA-1072	1862	2162	2363
17.61	9.74	2.35	1010	1176	ZLTCA 450-AA-1176	2084	2420	2645
19.46	10.67	2.57	1110	1278	ZLTCA 450-AA-1278	2299	2669	2917
23.00	11.55	2.78	1215	1381	ZLTCA 450-AA-1381	2523	2929	3202
26.54	12.43	2.99	1310	1483	ZLTCA 450-AA-1483	2737	3178	3473
28.70	13.31	3.21	1410	1585	ZLTCA 450-AA-1585	2960	3437	3756
30.86	14.19	3.42	1510	1688	ZLTCA 450-AA-1688	3180	3692	4035
32.97	15.07	3.63	1615	1790	ZLTCA 450-AA-1790	3395	3942	4308
35.09	15.95	3.84	1715	1892	ZLTCA 450-AA-1892	3617	4199	4590
37.20	16.87	4.07	1815	1994	ZLTCA 450-AA-1994	3831	4448	4862
39.31	17.79	4.29	1920	2096	ZLTCA 450-AA-2096	4054	4707	5145
41.44	18.70	4.51	2025	2199	ZLTCA 450-AA-2199	4274	4962	5424
43.57	19.60	4.73	2125	2301	ZLTCA 450-AA-2301	4493	5216	5702
45.70	20.48	4.94	2220	2404	ZLTCA 450-AA-2404	4713	5472	5981
47.83	21.36	5.15	2325	2506	ZLTCA 450-AA-2506	4932	5726	6259
52.07	23.16	5.58	2530	2710	ZLTCA 450-AA-2710	5368	6232	6812
56.32	24.92	6.01	2740	2915	ZLTCA 450-AA-2915	5807	6742	7369

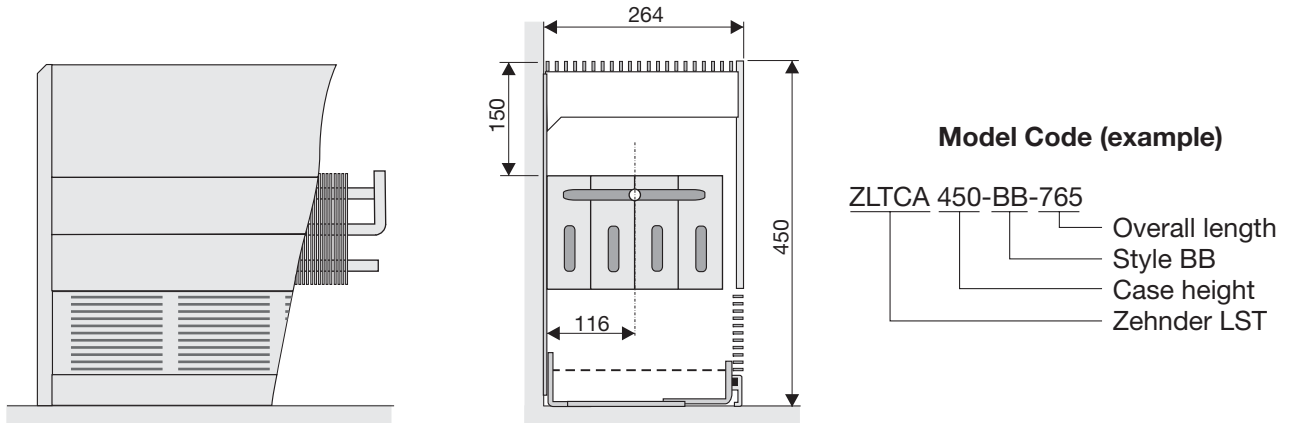
ZLTCA 600-AA



Technical Data

Case Mass kg	Emitter Mass (dry) kg	Volume V litres	Emitter Length mm	Case Length mm	Model	Output BS EN442 $\Delta T=50K$ Watts	Output $\Delta T=56K$ Watts	Output $T=60K$ Watts
16.79	6.14	1.48	600	765	ZLTCA 600-AA-765	1253	1455	1590
19.83	7.06	1.70	700	867	ZLTCA 600-AA-867	1480	1718	1878
22.88	7.94	1.91	805	970	ZLTCA 600-AA-970	1709	1984	2169
25.94	8.82	2.13	900	1072	ZLTCA 600-AA-1072	1936	2248	2457
28.98	9.74	2.35	1010	1176	ZLTCA 600-AA-1176	2168	2517	2751
32.03	10.67	2.57	1110	1278	ZLTCA 600-AA-1278	2390	2775	3033
35.08	11.55	2.78	1215	1381	ZLTCA 600-AA-1381	2624	3046	3330
38.14	12.43	2.99	1310	1483	ZLTCA 600-AA-1483	2846	3304	3612
41.22	13.31	3.21	1410	1585	ZLTCA 600-AA-1585	3078	3574	3906
44.30	14.19	3.42	1510	1688	ZLTCA 600-AA-1688	3307	3839	4197
47.34	15.07	3.63	1615	1790	ZLTCA 600-AA-1790	3530	4098	4480
50.38	15.95	3.84	1715	1892	ZLTCA 600-AA-1892	3761	4367	4773
53.42	16.87	4.07	1815	1994	ZLTCA 600-AA-1994	3984	4625	5056
56.47	17.79	4.29	1920	2096	ZLTCA 600-AA-2096	4215	4894	5349
59.53	18.70	4.51	2025	2199	ZLTCA 600-AA-2199	4445	5161	5641
62.60	19.60	4.73	2125	2301	ZLTCA 600-AA-2301	4672	5424	5929
65.66	20.48	4.94	2220	2404	ZLTCA 600-AA-2404	4901	5690	6219
68.72	21.36	5.15	2325	2506	ZLTCA 600-AA-2506	5128	5954	6507
74.80	23.16	5.58	2530	2710	ZLTCA 600-AA-2710	5582	6481	7084
80.91	24.92	6.01	2740	2915	ZLTCA 600-AA-2915	6038	7010	7662

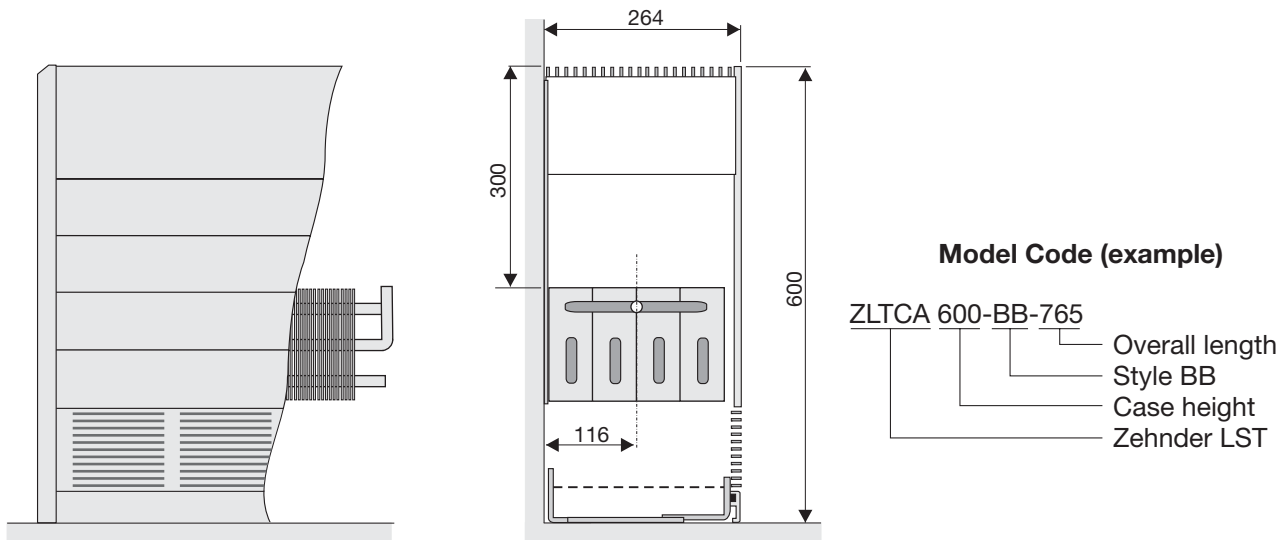
ZLTCA 450-BB



Technical Data

Case Mass kg	Emitter Mass (dry) kg	Volume V litres	Emitter Length mm	Case Length mm	Model	Output BS EN442 $\Delta T=50K$ Watts	Output $\Delta T=56K$ Watts	Output T=60K Watts
10.42	6.14	1.48	600	765	ZLTCA 450-BB-765	1047	1216	1329
12.28	7.06	1.70	700	867	ZLTCA 450-BB-867	1232	1430	1563
14.02	7.94	1.91	805	970	ZLTCA 450-BB-970	1407	1634	1785
15.75	8.82	2.13	900	1072	ZLTCA 450-BB-1072	1580	1834	2005
17.60	9.74	2.35	1010	1176	ZLTCA 450-BB-1176	1768	2053	2244
19.46	10.67	2.57	1110	1278	ZLTCA 450-BB-1278	1953	2267	2478
21.20	11.55	2.78	1215	1381	ZLTCA 450-BB-1381	2127	2469	2699
22.94	12.43	2.99	1310	1483	ZLTCA 450-BB-1483	2301	2671	2920
24.69	13.31	3.21	1410	1585	ZLTCA 450-BB-1585	2478	2877	3145
26.45	14.19	3.42	1510	1688	ZLTCA 450-BB-1688	2654	3081	3368
28.23	15.07	3.63	1615	1790	ZLTCA 450-BB-1790	2833	3289	3595
30.02	15.95	3.84	1715	1892	ZLTCA 450-BB-1892	3013	3498	3823
31.81	16.87	4.07	1815	1994	ZLTCA 450-BB-1994	3194	3708	4053
33.61	17.79	4.29	1920	2096	ZLTCA 450-BB-2096	3375	3918	4283
35.41	18.70	4.51	2025	2199	ZLTCA 450-BB-2199	3555	4127	4511
37.21	19.60	4.73	2125	2301	ZLTCA 450-BB-2301	3735	4336	4740
38.96	20.48	4.94	2220	2404	ZLTCA 450-BB-2404	3912	4542	4964
40.72	21.36	5.15	2325	2506	ZLTCA 450-BB-2506	4087	4745	5186
44.31	23.16	5.58	2530	2710	ZLTCA 450-BB-2710	4448	5164	5645
48.02	24.92	6.01	2740	2915	ZLTCA 450-BB-2915	4819	5595	6115

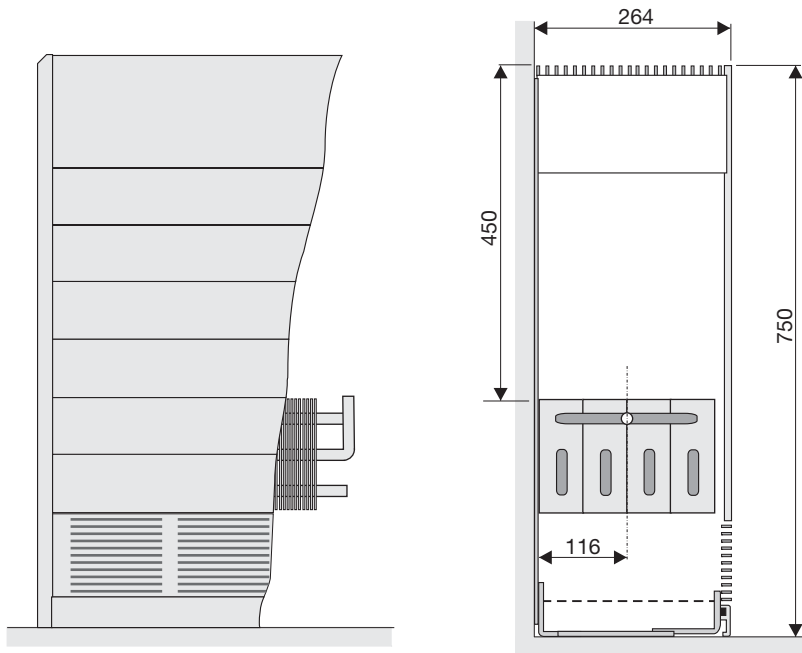
ZLTCA 600-BB



Technical Data

Case Mass kg	Emitter Mass (dry) kg	Volume V litres	Emitter Length mm	Case Length mm	Model	Output BS EN442 $\Delta T=50K$ Watts	Output $\Delta T=56K$ Watts	Output T=60K Watts
14.21	6.14	1.48	600	765	ZLTCA 600-BB-765	1126	1307	1429
16.79	7.06	1.70	700	867	ZLTCA 600-BB-867	1330	1544	1688
19.38	7.94	1.91	805	970	ZLTCA 600-BB-970	1536	1783	1949
21.97	8.82	2.13	900	1072	ZLTCA 600-BB-1072	1740	2020	2208
24.55	9.74	2.35	1010	1176	ZLTCA 600-BB-1176	1948	2262	2472
27.13	10.67	2.57	1110	1278	ZLTCA 600-BB-1278	2148	2494	2726
29.71	11.55	2.78	1215	1381	ZLTCA 600-BB-1381	2358	2738	2992
32.28	12.43	2.99	1310	1483	ZLTCA 600-BB-1483	2558	2970	3246
34.91	13.31	3.21	1410	1585	ZLTCA 600-BB-1585	2766	3211	3510
37.54	14.19	3.42	1510	1688	ZLTCA 600-BB-1688	2972	3450	3771
40.11	15.07	3.63	1615	1790	ZLTCA 600-BB-1790	3172	3683	4025
42.69	15.95	3.84	1715	1892	ZLTCA 600-BB-1892	3381	3925	4290
45.26	16.87	4.07	1815	1994	ZLTCA 600-BB-1994	3581	4158	4544
47.83	17.79	4.29	1920	2096	ZLTCA 600-BB-2096	3789	4399	4808
50.42	18.70	4.51	2025	2199	ZLTCA 600-BB-2199	3995	4638	5070
53.01	19.60	4.73	2125	2301	ZLTCA 600-BB-2301	4199	4875	5329
55.60	20.48	4.94	2220	2404	ZLTCA 600-BB-2404	4405	5114	5590
58.19	21.36	5.15	2325	2506	ZLTCA 600-BB-2506	4609	5351	5849
63.34	23.16	5.58	2530	2710	ZLTCA 600-BB-2710	5017	5825	6367
68.51	24.92	6.01	2740	2915	ZLTCA 600-BB-2915	5427	6301	6887

ZLTCA 750-BB



Model Code (example)

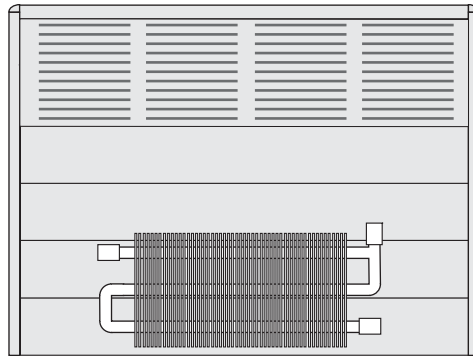
ZLTCA 750-BB-765

- Overall length
- Style BB
- Case height
- Zehnder LST

Technical Data

Case Mass kg	Emitter Mass (dry) kg	Volume V litres	Emitter Length mm	Case Length mm	Model	Output BS EN442 $\Delta T=50K$ Watts	Output $\Delta T=56K$ Watts	Output T=60K Watts
17.92	6.14	1.48	600	765	ZLTCA 750-BB-765	1171	1360	1486
21.16	7.06	1.70	700	867	ZLTCA 750-BB-867	1383	1606	1755
24.42	7.94	1.91	805	970	ZLTCA 750-BB-970	1597	1854	2027
27.68	8.82	2.13	900	1072	ZLTCA 750-BB-1072	1809	2100	2296
30.93	9.74	2.35	1010	1176	ZLTCA 750-BB-1176	2026	2352	2571
34.18	10.67	2.57	1110	1278	ZLTCA 750-BB-1278	2234	2594	2835
37.44	11.55	2.78	1215	1381	ZLTCA 750-BB-1381	2452	2847	3112
40.70	12.43	2.99	1310	1483	ZLTCA 750-BB-1483	2660	3088	3376
43.99	13.31	3.21	1410	1585	ZLTCA 750-BB-1585	2877	3340	3651
47.28	14.19	3.42	1510	1688	ZLTCA 750-BB-1688	3091	3589	3922
50.52	15.07	3.63	1615	1790	ZLTCA 750-BB-1790	3299	3830	4186
53.77	15.95	3.84	1715	1892	ZLTCA 750-BB-1892	3515	4081	4461
57.01	16.87	4.07	1815	1994	ZLTCA 750-BB-1994	3723	4322	4724
60.26	17.79	4.29	1920	2096	ZLTCA 750-BB-2096	3940	4574	5000
63.53	18.70	4.51	2025	2199	ZLTCA 750-BB-2199	4154	4823	5271
66.81	19.60	4.73	2125	2301	ZLTCA 750-BB-2301	4366	5069	5540
70.07	20.48	4.94	2220	2404	ZLTCA 750-BB-2404	4580	5317	5812
73.33	21.36	5.15	2325	2506	ZLTCA 750-BB-2506	4793	5565	6082
79.82	23.16	5.58	2530	2710	ZLTCA 750-BB-2710	5217	6057	6620
86.34	24.92	6.01	2740	2915	ZLTCA 750-BB-2915	5643	6552	7161

Standard Connections



Emitter can be fitted for flow in either direction.

All emitters are supplied complete with 1/8" BSP air vents.

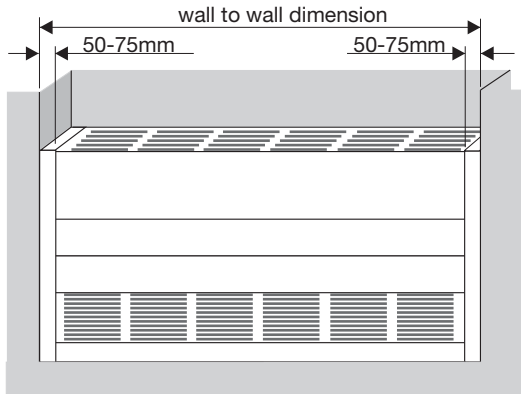
Configurations suitable for single pipe heating systems are available for all styles and sizes on request.

Valve Kits

Description	Configuration and Code	Kit Contents	Notes
Enclosed TRV with Remote Sensor		<p>½"angle pattern TRV body</p> <p>Remote sensor TRV</p> <p>½"angle pattern lockshield</p> <p>Nuts and olives</p>	<p><i>Suitable for all single models A, B, C, D & FM and double models (BB) with straight TRV body</i></p>
RemoteAdjuster TRV		<p>½"angle pattern TRV body</p> <p>Remote Adjuster TRV Control</p> <p>½"angle pattern lockshield</p> <p>Nuts and olives</p>	<p><i>Suitable for all models</i></p> <p><i>Side panel drilled to suit at factory</i></p> <p><i>Handing to be specified</i></p>
Large, Robust Remote Adjuster TRV		<p>½"angle pattern TRV body</p> <p>Remote Transmitter TRV Head (robust or standard)</p> <p>½"angle pattern lockshield</p> <p>Nuts and olives</p>	<p><i>Suitable for all models</i></p> <p><i>Side panel drilled to suit at factory</i></p> <p><i>Handing to be specified</i></p>

Special Features

Wall to Wall Applications



Any style or size can be used in a wall to wall application.

Telescopic end pieces are used at each end to give 50-75mm of movement to ensure a snug fit against adjacent surfaces whilst allowing ease of installation.

Units can be joined end to end with simple joining pieces to create a continuous cover of almost infinite length possibilities.

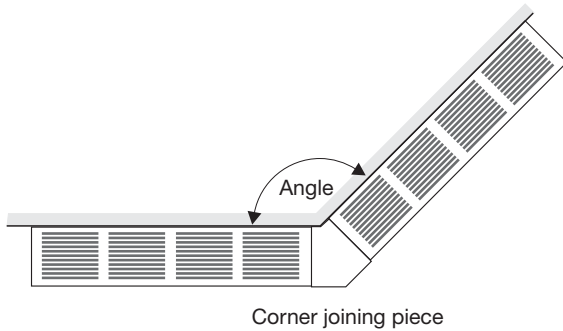
The joining pieces can be used in conjunction with the angled corner sections to achieve a true wall to wall installation with continuous appearance.

Provision is made for running pipework within the enclosure to eliminate the need for pipeboxes etc.

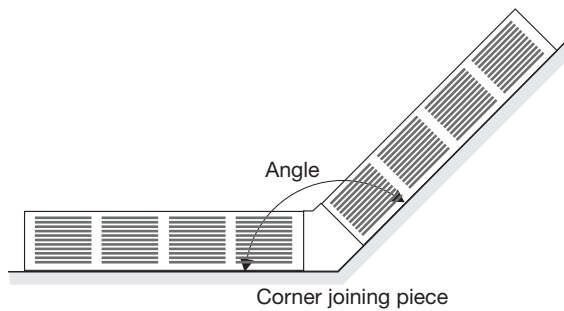
Angled Installations:

Angles from 90° to 270°

External Angle



Internal Angle



Cover Only

The Zehnder ZLTCA is available as a cover only (no heat emitter). This enables made to measure units to simply fit over existing radiators of any type to create a retro-fit LST application. Depending on the existing radiator, there will be a slight reduction in output.

Recess Applications:

The Zehnder LST can be supplied to fit flush into a recess with top and bottom front facing grilles (style D).

Correction Factors

Outputs are shown at $\Delta T=50$, 56 and 60K.

For other ΔT values, a correction factor must be used: this is a factor to convert the output from $\Delta T=50K$ to the design ΔT .

e.g. For model ZLTCA 450-A-1072 output @ $\Delta T=50K = 980W$. For $\Delta T=58K$, correction factor (from table below) = 1.215, so corrected value = $980 \times 1.215 = 1191W$ @ $\Delta T=58K$.

Correction Factors for $\Delta T=30 - 50K$

Model	n	30	32	34	36	38	40	42	44	46	48	50
All	1.31	0.512	0.557	0.603	0.650	0.698	0.747	0.796	0.846	0.897	0.948	1.000

Correction Factors for $\Delta T=50 - 70K$

Model	n	50	52	54	56	58	60	62	64	66	68	70
All	1.31	1.000	1.053	1.106	1.161	1.215	1.269	1.326	1.382	1.439	1.496	1.554

Where the design conditions fall outside of the tabulated values, the correction factor is easily calculated using the following formula:

$$\text{Correction factor} = (\text{Design } \Delta T / \text{Reference } \Delta T)^n \text{ where: } \begin{array}{l} n = \text{exponential} \\ \text{Reference } \Delta T = 50K \end{array}$$

e.g. Correction factor for any ZLTCA radiator at design condition $\Delta T = 75K$:

$$cf = (75/50)^{1.31} = 1.701$$

Zehnder Ltd

B15 Armstrong Mall
Southwood Business Park
Farnborough
Hants, GU14 0NR

Tel. +44 (0) 1252 515151
Fax +44 (0) 1252 522528
sales@zehnder.co.uk
www.zehnder.co.uk

zehnder