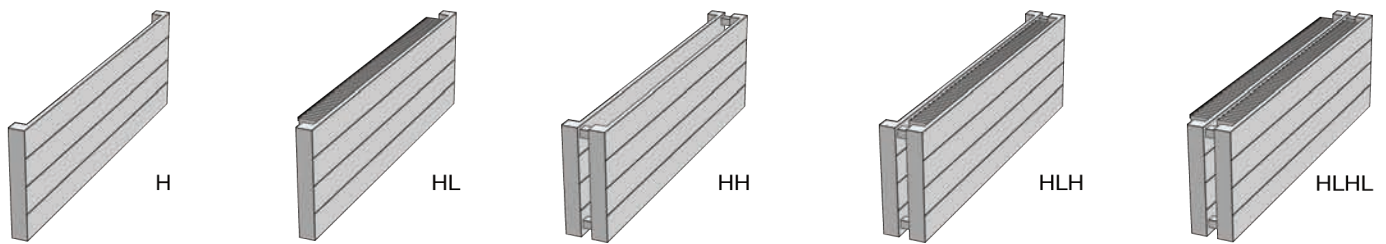


zehnder *HW87*

zehnder



Thanks to the varied range of models, the zehnder HW87 can be integrated into any living space. A robust, anti-ligature, flat panel radiator; it is available as a horizontal or vertical model, with or without fins, and in a wide selection of colours.



Technical Data

Length (100mm increments): H, HL, HH - 500 to 2000mm
 HLH, HLHL - 500 to 6000mm
 Height (70mm increments): H, HL, HH - 70 to 1680mm
 HLH, HLHL - 350 to 840mm
 Depth: 38 to 126mm
 Operating pressure: max. 5 bar
 Operating temperature: max. 120°C

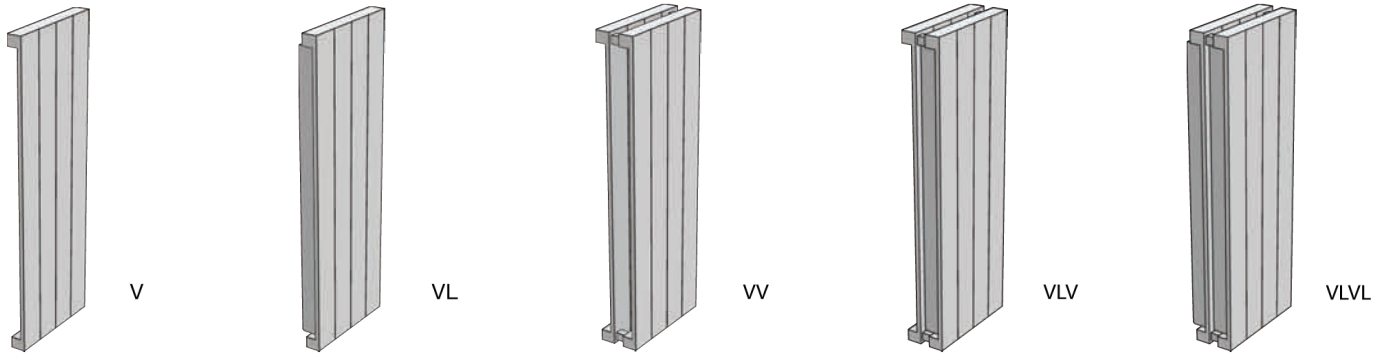
Options

Standard finish RAL 9016 white
 Available in over 60 colours including trendy, metallic and quartz
 Wide choice of connections
 High pressure installation available

Model	Height mm	Depth mm	Output (EN 442) ¹⁾ Watts $\Delta T=50K$
H 07	70	38	99
HL 07/1	70	63	235
HH 07	70	100	159
H 14	140	38	177
HL 14/2	140	63	359
HH 14	140	100	293
H 21	210	38	249
HL 21/3	210	63	509
HH 21	210	100	390
H 28	280	38	318
HL 28/4	280	63	610
HH 28	280	100	495
H 35	350	38	383
HL 35/5	350	63	726
HH 35	350	100	679
HLH 35/4	350	100	917
HLHL 35/4	350	126	1205
H 42	420	38	453
HL 42/5	420	63	741
HH 42	420	100	788
HLH 42/4	420	100	1014
HLHL 42/4	420	126	1298
H 49	490	38	519
HL 49/7	490	63	896
HH 49	490	100	894
HLH 49/7	490	100	1186
HLHL 49/7	490	126	1593
H 56	560	38	585
HL 56/7	560	63	950
HH 56	560	100	998
HLH 56/7	560	100	1246
HLHL 56/7	560	126	1672
H 63	630	38	650
HL 63/9	630	63	1049
HH 63	630	100	1101
HLH 63/9	630	100	1428
HLHL 63/9	630	126	1909
H 70	700	38	714
HL 70/9	700	63	1154
HH 70	700	100	1203
HLH 70/9	700	100	1497
HLHL 70/9	700	126	1999

Model	Height mm	Depth mm	Output (EN 442) ¹⁾ Watts $\Delta T=50K$
H 77	770	38	778
HL 77/9	770	63	1213
HH 77	770	100	1304
HLH 77/9	770	100	1612
HLHL 77/9	770	126	2103
H 84	840	38	841
HL 84/9	840	63	1270
HH 84	840	100	1404
HLH 84/9	840	100	1722
HLHL 84/9	840	126	2202
H 91	910	38	904
HH 91	910	101	1504
H 98	980	38	967
HH 98	980	101	1603
H 105	1050	38	1030
HH 105	1050	101	1702
H 112	1120	38	1092
HH 112	1120	101	1801
H 119	1190	38	1154
HH 119	1190	101	1900
H 126	1260	38	1216
HH 126	1260	101	1999
H 133	1330	38	1278
HH 133	1330	101	2098
H 140	1400	38	1340
HH 140	1400	101	2198
H 147	1470	38	1390
HH 147	1470	101	2078
H 154	1540	38	1456
HH 154	1540	101	2161
H 161	1610	38	1523
HH 161	1610	101	2244
H 168	1680	38	1589
HH 168	1680	101	2325

¹⁾ Outputs per 1000mm



Technical Data

Length (70mm increments): V, VV - 140 to 1960mm
 VL - 280 to 770mm
 VLV - 280 to 980mm
 VLVL - 280 - 1190mm

Height (100mm increments): V, VV - 600 to 4000mm
 VL, VLV, VLVL - 800 to 2200mm

Depth: 38 to 126mm
 Operating pressure: max. 5 bar
 Operating temperature: max. 120°C

Options

Standard finish RAL 9016 white
 Available in over 60 colours including trendy, metallic and quartz
 Wide choice of connections
 High pressure installation available

Model	Height mm	Depth mm	Output (EN 442) ²⁾ Watts $\Delta T=50K$
V 060	600	38	45.6
VV 060	600	100	74.7
V 080	800	38	58.3
VL 080	800	63	81.9
VV 080	800	100	94.6
VLV 080	800	100	114.5
VLVL 080	800	126	139.4
V 100	1000	38	70.9
VL 100	1000	63	99.9
VV 100	1000	100	114.0
VLV 100	1000	100	135.1
VLVL 100	1000	126	166.4
V 120	1200	38	83.5
VL 120	1200	63	117.0
VV 120	1200	100	133.0
VLV 120	1200	100	155.0
VLVL 120	1200	126	191.8
V 140	1400	38	96.3
VL 140	1400	63	134.0
VV 140	1400	100	152.0
VLV 140	1400	100	174.3
VLVL 140	1400	126	215.8
V 160	1600	38	109.0
VL 160	1600	63	150.0
VV 160	1600	100	171.0
VLV 160	1600	100	193.3
VLVL 160	1600	126	238.5
V 180	1800	38	122.0
VL 180	1800	63	166.0
VV 180	1800	100	189.0
VLV 180	1800	100	212.0
VLVL 180	1800	126	260.1

Model	Height mm	Depth mm	Output (EN 442) ²⁾ Watts $\Delta T=50K$
V 200	2000	38	136.0
VL 200	2000	63	182.0
VV 200	2000	100	208.0
VLV 200	2000	100	230.5
VLVL 200	2000	126	280.7
V 220	2200	38	149.0
VL 220	2200	63	197.0
VV 220	2200	100	227.0
VLV 220	2200	100	248.9
VLVL 220	2200	126	300.3
V 240	2400	38	163.0
VV 240	2400	100	245.0
V 260	2600	38	178.0
VV 260	2600	100	264.0
V 280	2800	38	193.0
VV 280	2800	100	284.0

²⁾ Outputs per tube

